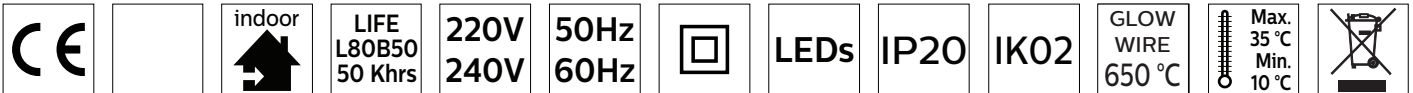
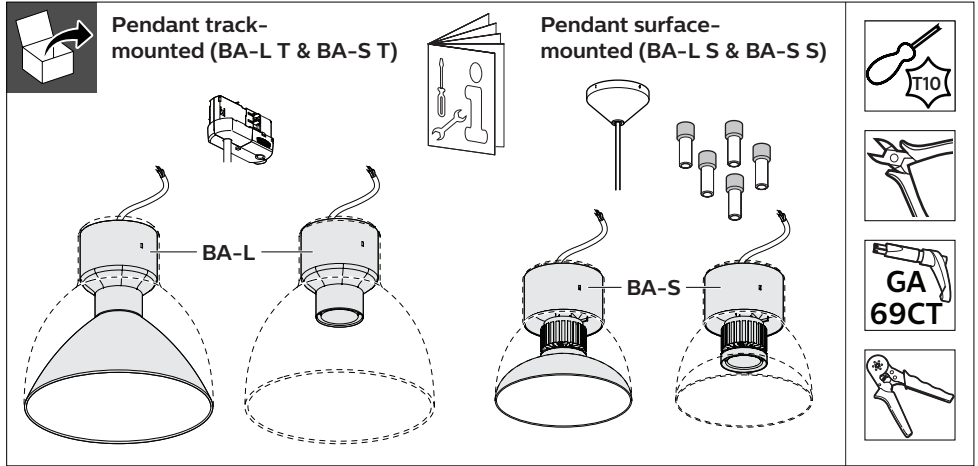
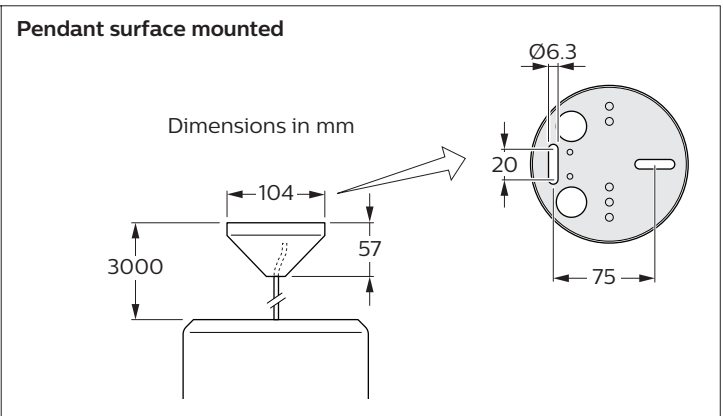
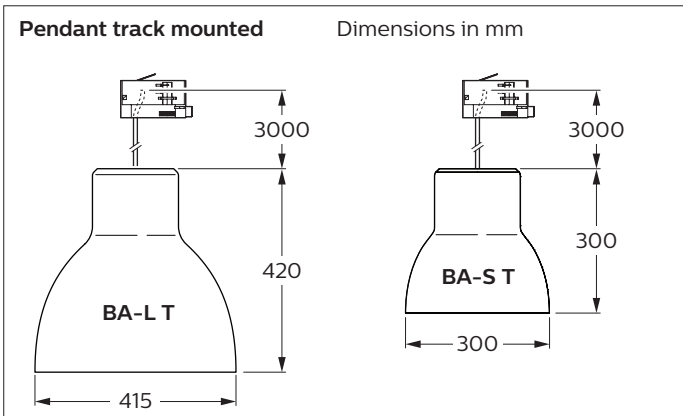


# PHILIPS

## TC BA-L & BA-S series

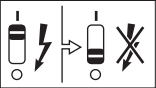


Lumen package	Pnom (W) ±10 %	Beam angle availability				kg
		MB	WB	VWB	Diffuse	
						No inner shade    With inner shade
17S	827/830/840/Frost/CH	17.5				
	PW930, PW940	20.5				
	PC930	22.0				
	Rose	21.0				
	FMT	24.5				
22S	827/830/840/Frost/CH	21.5				
	PW930, PW940	26.0				BA-L: 2.5    BA-L: 3.0
	PC930	27.5				BA-S: 2.1    BA-S: 2.7
27S	827/830/840/Frost/CH	26.5				
	PW930, PW940	29.5	Yes	Yes	Yes	
	PC930	33.0				Yes
	FMT	39.0				
39S	827/830/840/Frost/CH	38.0				
	PW930, PW940	46.5				
	PC930	51.5				
49S	827, 830, 840	45.0				
	PW930, PW940	56.0				BA-S: 3.1    BA-S: 3.7
65S	830	56.0				BA-L: 3.5    BA-L: 4.0
	840	56.0				
80S	830	68.5	N/A	N/A	N/A	
	840	65.0				





# Pendant track-mounted (BA-L T & BA-S T)

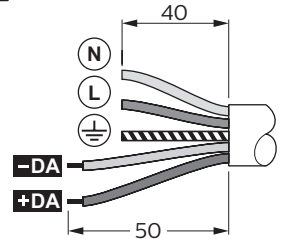
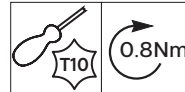
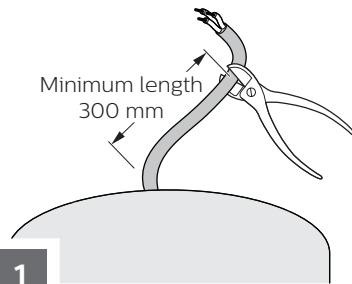
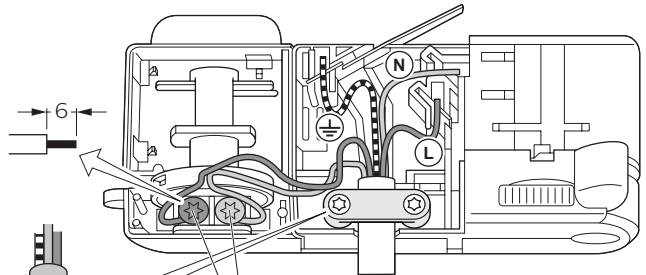
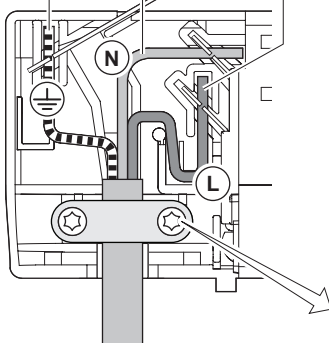
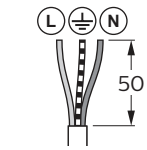


PSU

Yellow-Green Blue Brown or black

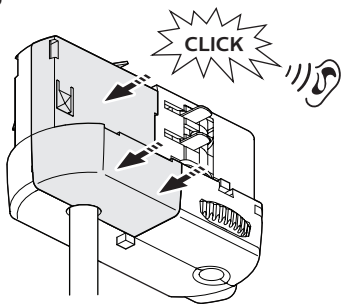
DALI

	N	L	DA+	DA-
Alu/transparent cable	Blue	Black	Violet	Orange
Black/white cable	Blue	Brown	Grey	Black

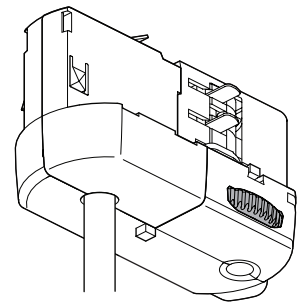
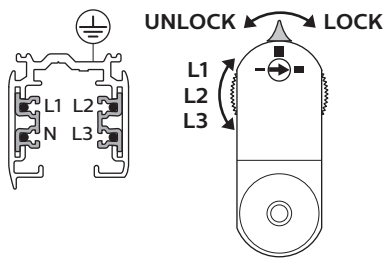


1

PSU

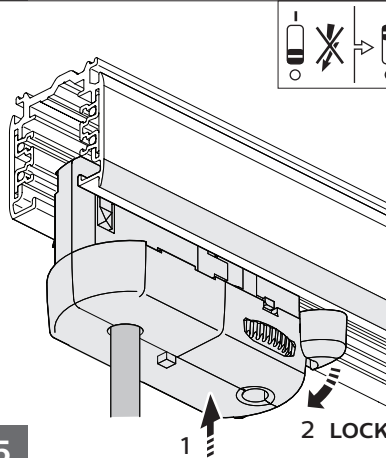
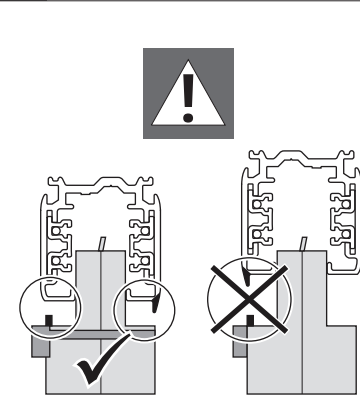


Choose the phase (1,2 or 3) before fastening



2

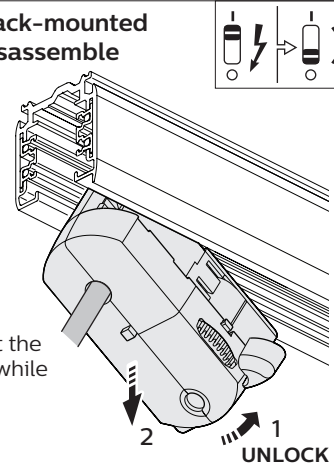
3



track-mounted disassemble



Never shift the luminaire while light is on.

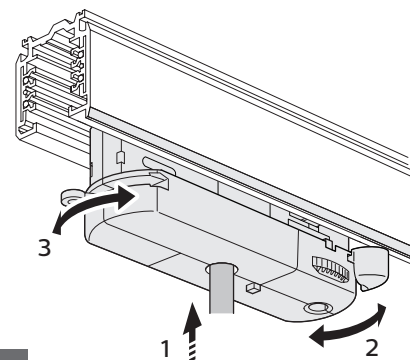
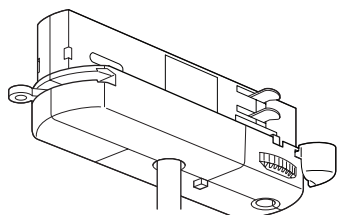


4

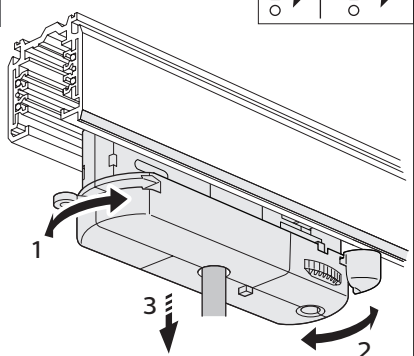
5

DALI

Choose the phase (1,2 or 3) before fastening



track-mounted disassemble



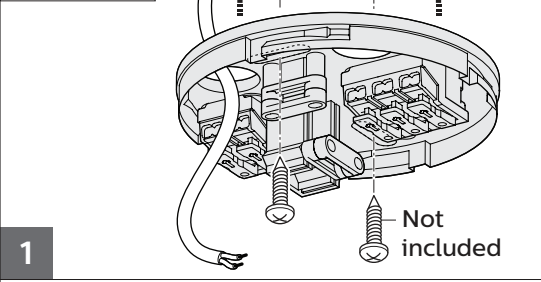
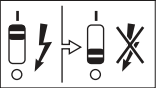
1

2

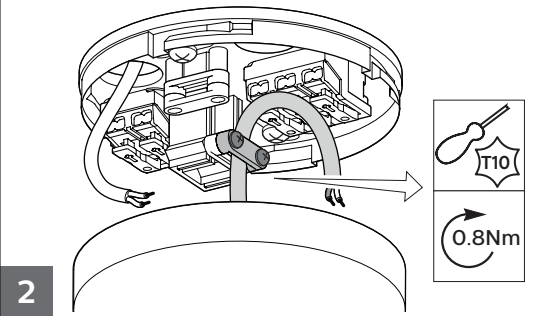
3



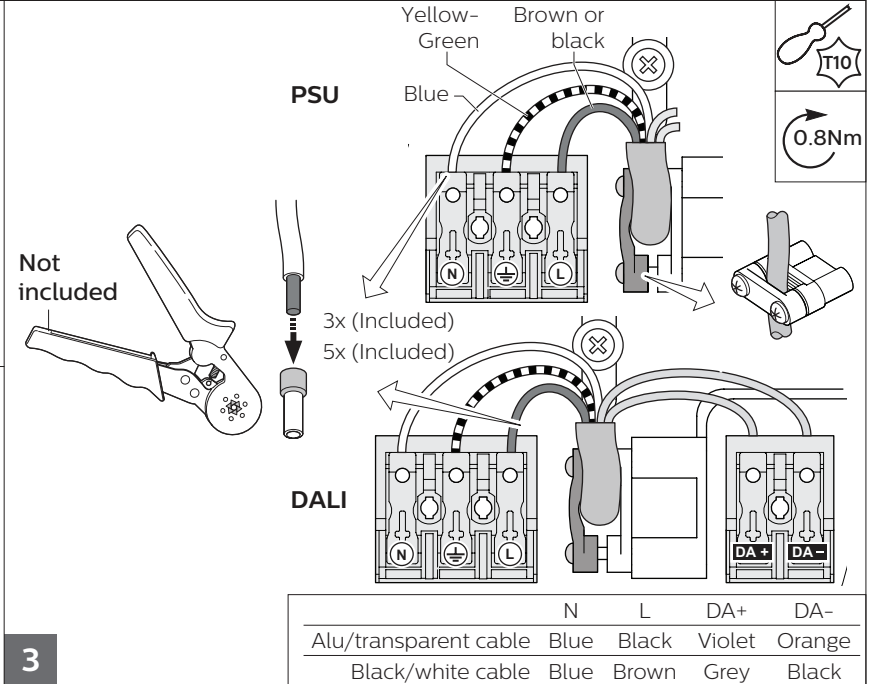
# Pendant Surface-mounted (BA-L S & BA-S S)



1



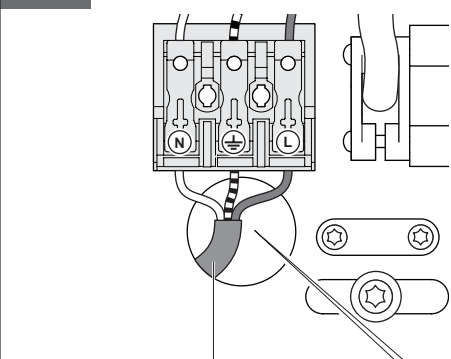
2



3

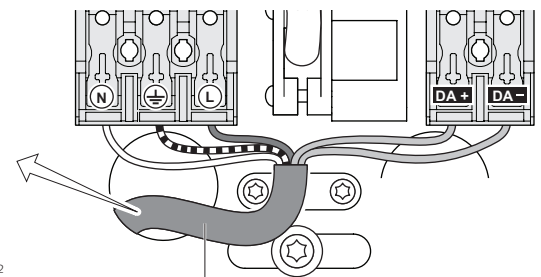
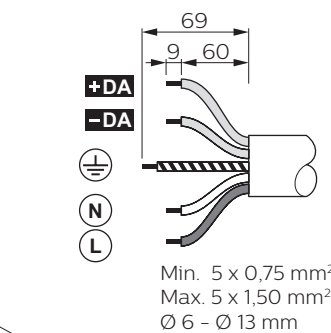


## PSU

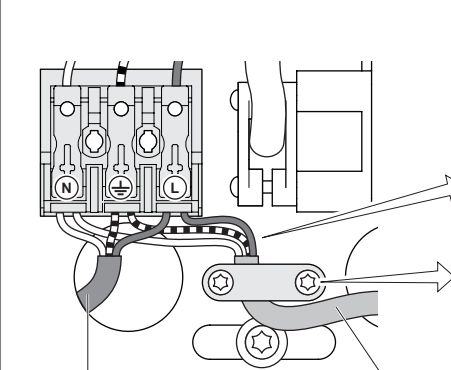


Only for 'fixed installation cable'. Flexible installation cables need to go through strain relief.

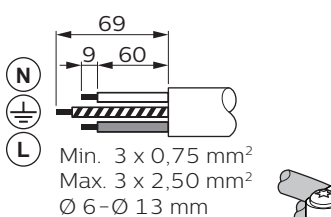
## DALI



Only for 'fixed installation cable'. Flexible installation cables need to go through strain relief.

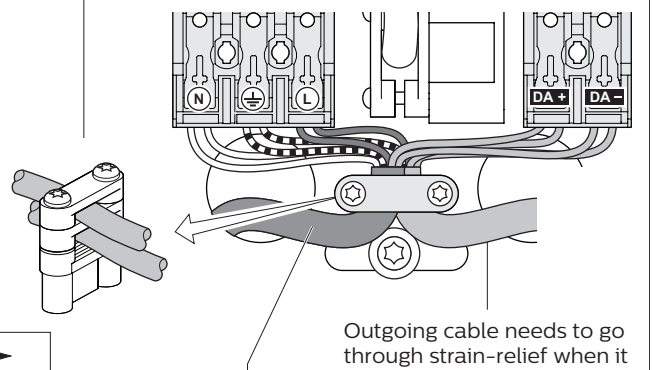


Only for 'fixed installation cable'. Flexible installation cables need to go through strain relief.



through-wiring possible. Outgoing cable needs to go through strain-relief when it is not fixed to the installation.

4a

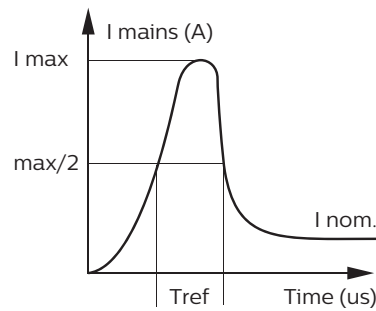


Only for 'fixed installation cable'. Flexible installation cables need to go through strain relief.

4b



### Inrush current



### No inner shade

	Lum. pack	CCT	Lum. pack	CCT	Lum. pack	CCT
	17S 27S	827/830/840/Frost/CH PW930, PW940 PC930 FMT	39S	PC930		
	17S	Rose	49S	830, 840 PW930, PW940		
	39S	827/830/840/Frost/CH PW930, PW940	65S	830, 840	80S	830, 840
	<b>PSU 36 W</b>	<b>PSED VLC 36 W</b>	<b>PSU 50 W</b>	<b>PSED VLC 50 W</b>	<b>PSED 100 W</b>	
<b>Electrical characteristics</b>						
<b>I<sub>max</sub> (A)</b>	18	20.4	18	25	50	
<b>Tref (μs)</b>	250	195	250	186	209	
<b>MCB</b>	<b>Luminaires max. *</b>					
<b>B-10 A</b>	21	15	19	17	6	
<b>B-13 A</b>	27	19	24	21	8	
<b>B-16 A</b>	34	24	30	27	10	
<b>C-10 A</b>	35	25	31	28	10	
<b>C-13 A</b>	46	32	40	36	13	
<b>C-16 A</b>	57	40	51	46	16	

### With inner shade

	Lum. pack	CCT	Lum. pack	CCT	Lum. pack	CCT
	17S 27S	827/830/840/Frost/CH PW930, PW940 PC930	39S	827, 830, 840, Frost, CH PC930, 830, 840		
			49S	830, 840 PW930, PW940		
			65S	830, 840	80S	830, 840
	<b>PSU 36 W</b>	<b>PSED VLC 36 W</b>	<b>PSU 50 W</b>	<b>PSED VLC 50 W</b>	<b>PSED 100 W</b>	
<b>Electrical characteristics</b>						
<b>I<sub>max</sub> (A)</b>	18	20.4	18	25	50	
<b>Tref (μs)</b>	250	195	250	186	209	
<b>MCB</b>	<b>Luminaires max. *</b>					
<b>B-10 A</b>	21	15	19	17	6	
<b>B-13 A</b>	27	19	24	21	8	
<b>B-16 A</b>	34	24	30	27	10	
<b>C-10 A</b>	35	25	31	28	10	
<b>C-13 A</b>	46	32	40	36	13	
<b>C-16 A</b>	57	40	51	46	16	

\*according to IEC60555 test conditions



- The luminaire shall be installed by a qualified electrician and wired in accordance with the latest IEE electrical regulations or the national requirements.
- This luminaire is not suitable for use as emergency lighting.
- The light source of this luminaire is not replaceable; when the light source reaches its end of life the whole luminaire shall be replaced.
- If the external flexible cable or cord of this luminaire is damaged, it shall be exclusively replaced by the manufacturer or his service agent or a similar qualified person in order to avoid a hazard.
- Clean with dry cloth.
- For the FMT version the luminaire should be positioned so that prolonged staring into the luminaire at a distance closer than 1.6 m is not expected.



**ATTENTION**  
OBSERVE PRECAUTIONS  
FOR HANDLING  
ELECTROSTATIC  
SENSITIVE  
DEVICES